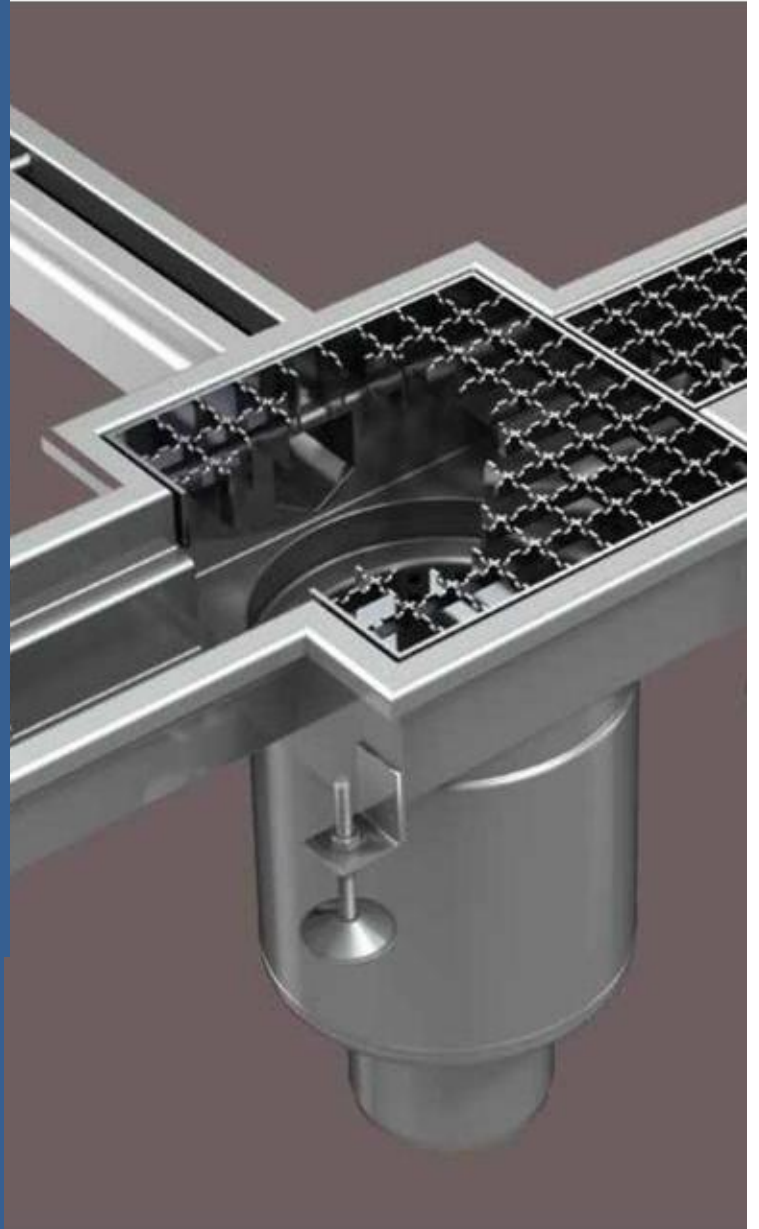


Standard Industrial Solution

SISDrain

304 & 316L
STAINLESS STEEL
INDUSTRIAL
FLOOR DRAINS
& LINEAR
DRAINAGE
CHANNELS



Standard Industrial Solution Industrial Floor Drains And Linear Channels.

Offering all the benefits of 304 & 316l stainless steel with the quality, reliability and service of SISDrain.

304 & 316L STAINLESS STEEL

Standard Industrial Solution have been providing cost-effective and dependable plumbing and drainage solutions since 1978.

This experience and knowledge has been combined with European engineering to produce SIS™ Drainage solutions. SISDrain offers you peace of mind and the simplicity that you want.

HIGH QUALITY STAINLESS STEEL

- SISDrain products are manufactured using high quality
- 304L & 316L grade stainless steel
- The low carbon content of 316L stainless steel eliminates carbide precipitation at welds during manufacture, improving corrosion resistance
- Increased molybdenum content increases corrosion resistance
- All SISDrain products are thoroughly cleaned, pickled and passivated to ensure optimum corrosion resistance

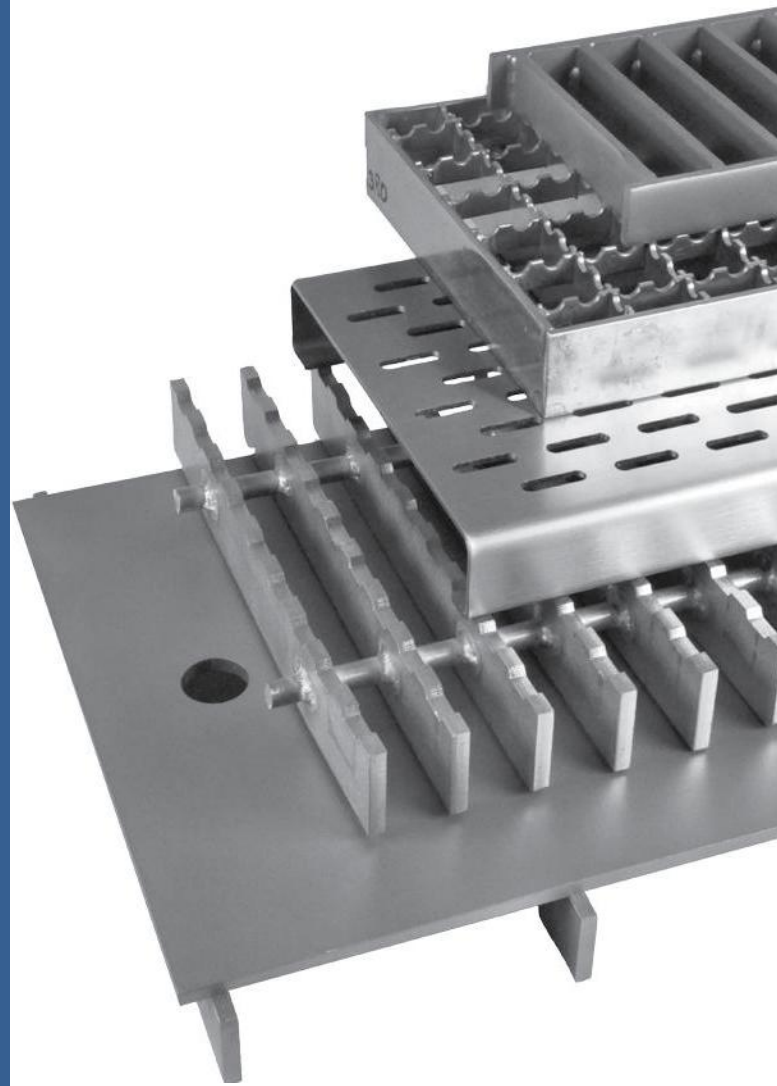


LINEAR DRAINAGE CHANNELS

SISDRAIN™ STAINLESS LINEAR DRAINAGE CHANNELS FEATURES:

- Epoxy infill for edges is standard, making installation easier and the edges more durable
- A range of grates to suit various traffic conditions including anti-slip and heel-safe
- Efficient hydraulic performance with v-profiled inverts as standard
- Each channel has levelling feet and anchorage tabs to assist with fast, trouble-free installation
- No welding on site. Channels up to 4 metres long are supplied as a complete unit. For channels over 4 metres in length the design is modular and sections are joined via provided flange and gasket kits.
- Complete system, no hidden extras
- Factory quality assurance
- Fast and simple design and approval process
- Drainage fall built-in
- Fully customised to suit your project
- Slot drain and grated channels from 110 mm up to 410 mm grate widths
- High quality 316L grade stainless manufacture
- Easy access for cleaning and hygienic design with rounded internal edges, v-profile invert, replaceable gratings, integrated strainer baskets and water traps available for the floor drain outlets
- The inspection opening to the sewer is located in the outlet

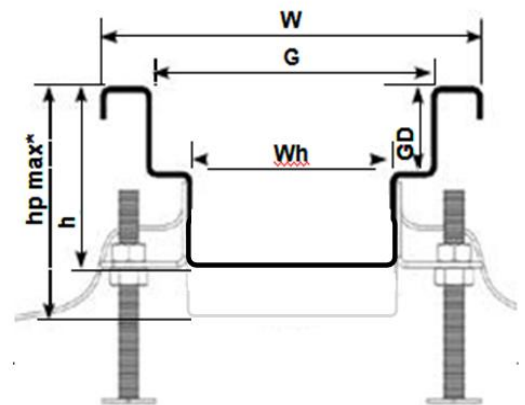
SISDrain



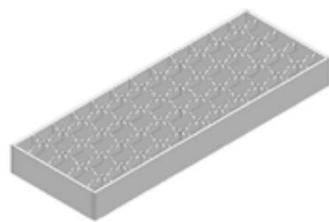
LINEAR DRAINAGE CHANNELS

SISDRAIN™ STAINLESS STANDARD LINEAR CHANNELS

Product Code	W (mm)	G	Wh	h	h max*	GD
SISDRAIN™ CHANNEL C150	150	110	80	75	180	30
SISDRAIN™ CHANNEL C200	200	160	130	75	180	30
SISDRAIN™ CHANNEL C250	250	200	160	75	180	30
SISDRAIN™ CHANNEL C300	300	260	230	75	180	30
SISDRAIN™ CHANNEL C350	350	310	280	75	180	40
SISDRAIN™ CHANNEL C400	400	360	330	75	180	40

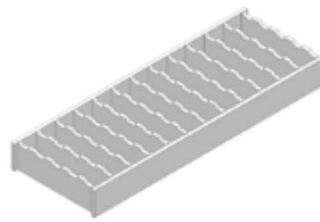


STANDARD CHANNEL GRATING OPTIONS



Anti-Slip Mesh Grating

R13 A



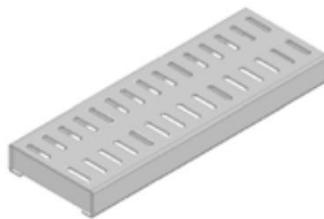
Anti-Slip Ladder Grating

R12 B



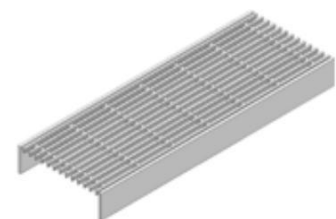
Plate Grating

R10 B



Perforated Sheet Grating

R10 A



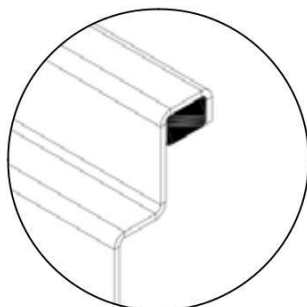
Wedge Wire Heel Safe Grating

R9 A

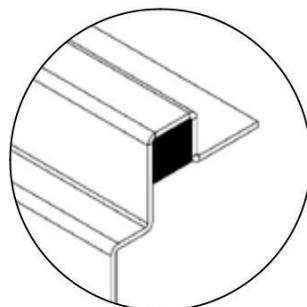
CHANNEL EDGE FINISHING

The edge finishing should depend on the flooring type and waste water temperature. Options include:

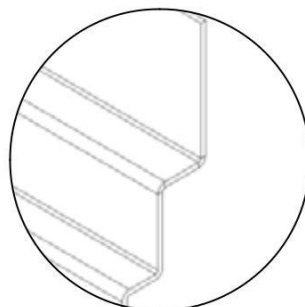
1. downward flange
(standard)



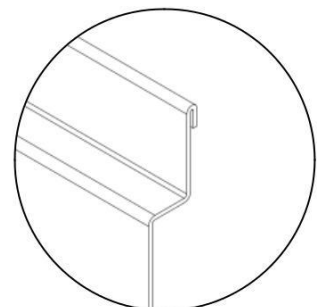
2. flange



3. raised back edge



4. tightly folded edge



SISDRAIN STAINLESS SLOT CHANNEL

An effective and simple method for draining surfaces where high flow capacity is not required. A perfect solution for rooms with condensate dripping from machinery or A/C systems: bakeries, dairies and swimming pools, as a separation of wet and dry areas.



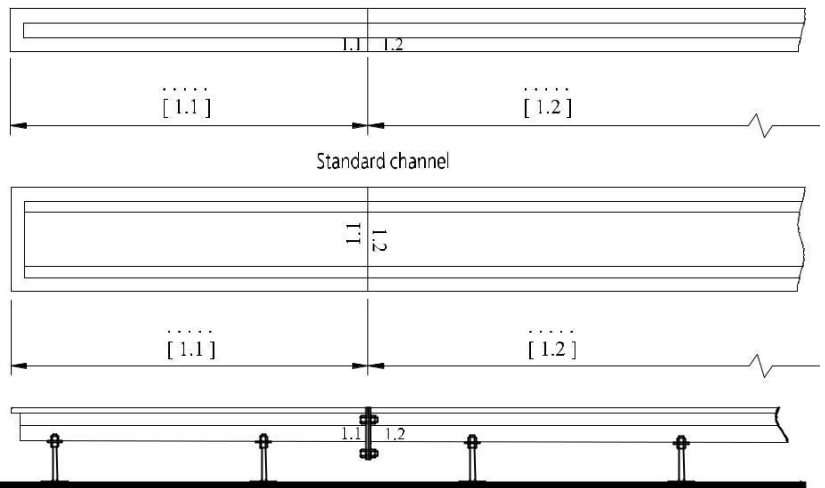
LINEAR DRAINAGE CHANNELS

SISDRAIN™ STAINLESS STANDARD LINEAR CHANNEL DESIGN

Typical layout of the channel is shown in the figure. The placement of floor drains and the channel route depends on the flooring design and the amount of water to be drained from the floor. Standard and slot channels can be combined.

The channel route should be decided by the design engineer in cooperation with the process engineer. In case of any technical questions relating to the drainage system, please do not hesitate to contact MM SIS. The channel outlet may be fitted with a water trap and strainer basket as required.

Horizontal water-proof insulation can be factory integrated into the flange of the floor drain. This solution assures leak tightness in the area of out-flow passage through the floor.



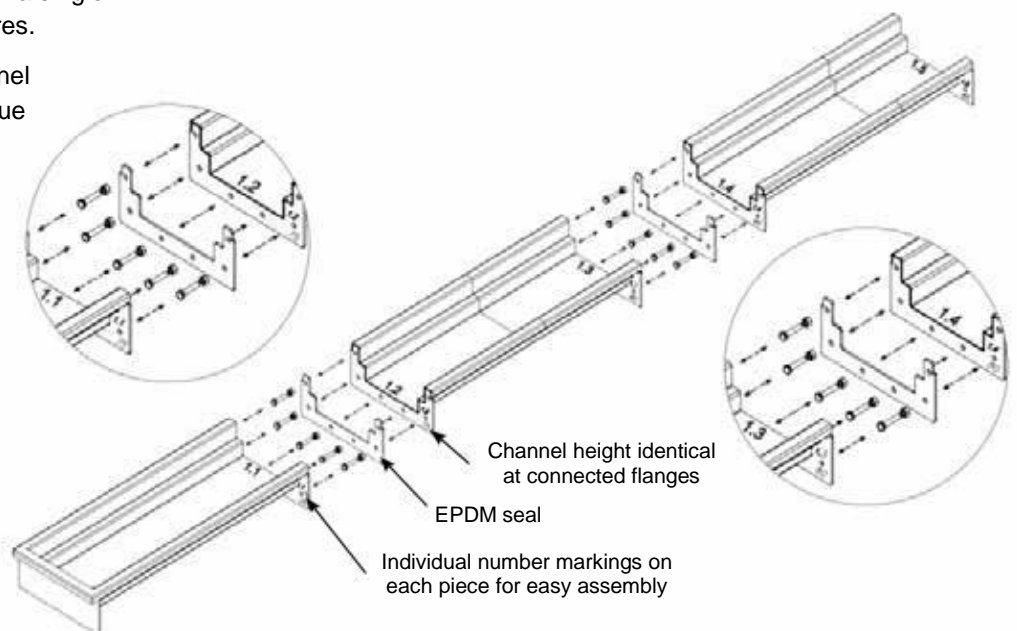
CHANNEL CONNECTION

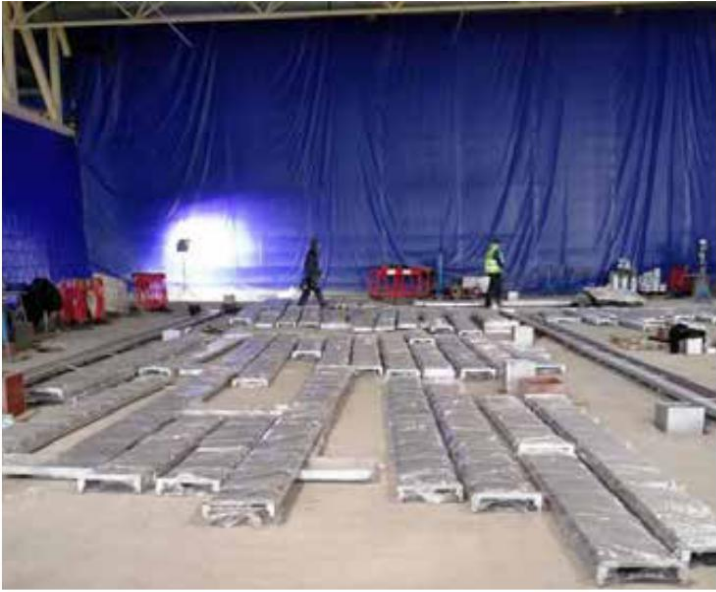
Channels are divided into sections appropriate for transport, as a standard their length does not exceed 4 meters.

Standard length of a channel with a single outlet should not exceed 10 metres.

At the connection point the channel is approximately 25 mm lower, due to the presence of the flange. It is also possible to weld the channel directly at the construction site.

All channel components are individually numbered to allow easy assembly.





SISDrain

STANDARD INDUSTRIAL SOLUTION

1/9B, ASAF ALI ROAD, NEW DELHI-110002, INDIA
MOB: +91 9811052641 PHONE: 011 23215810

304 & 316L

STAINLESS STEEL STRONG. DURABLE. HYGIENIC.

